

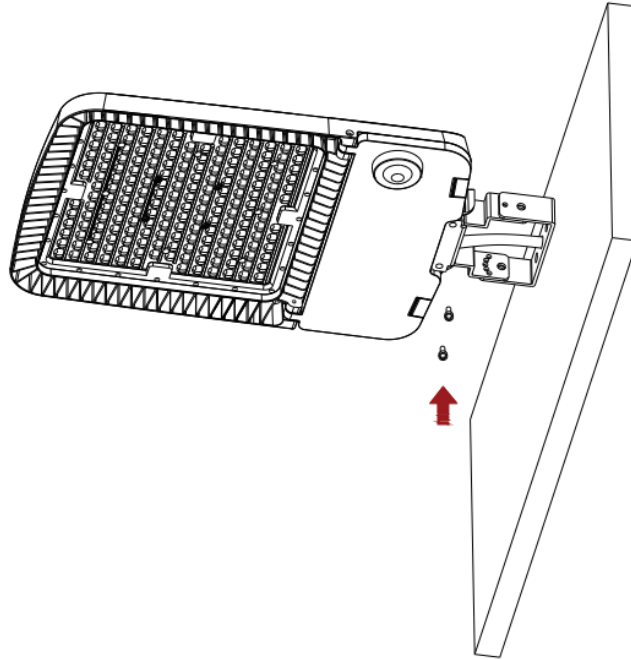


## Steps to install the parking lot lights

Step 1: Drill two holes on the pole according to the hole size and distance on the bracket.  
Find the right corresponding holes and fixed with screws , as the following pictures shown.

Step 2: Wiring, connect the L,N,GND wires on the lamp to the corresponding L,N,GND cables on the Pole(Remark: US standard cable color: Black: L, White: N, Green: GND).

Step 3: Screw the fixture to the bracket as shown in the figures.



Step 5: The installed fixtures will be as the following picture shown.

