



# ACE LED Light CO.,LTD

## Installation Manual of ACE LED Parking Lot Slip Fitter

Please read the installation manual carefully before installation and keep the manual for future use.



### Warning

1. Electrician must have related certificates, knowledge and working experience. The work must be assigned to each electrician based on their position and responsibility.
2. The lens of parking lot light modules are PC material, they may be scratched by any careless handling. The parking lot light must be carefully protected in installation, especially when the face of luminaire is put downward, it needs to be protected with soft cloth or other protecting materials.
3. Installation must be proceeded when the electricity is shut off, no action be taken when there is electricity connected.
4. Construction must be proceeded according to related regulations, including the tools and equipments used. For example: working voltage range, Warning sign, flashing lamp, helmet, and working clothes etc.
5. Make sure the weather is suitable for high power electricity work when proceed construction.

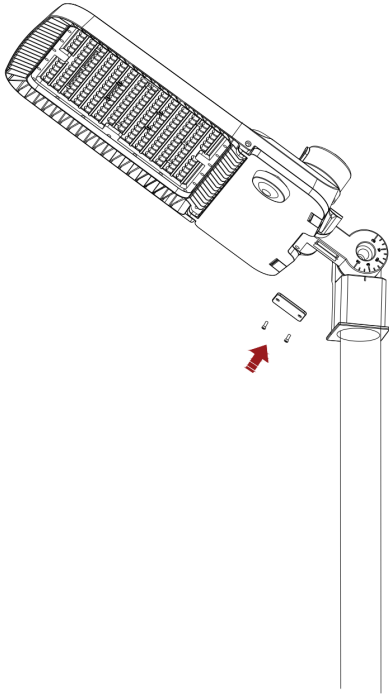


### Instruction

1. The crane used to install the parking lot light must come with lifting platform, warning signs and flash lamp etc.
2. Electric power must be cut off before installation or maintenance of Parking Lot Light.
3. Maintenance must be performed by professional staff.



Step 3: Screw the fixture to the bracket as shown in the figures.



Step 5: The installed fixtures will be as the following picture shown.

